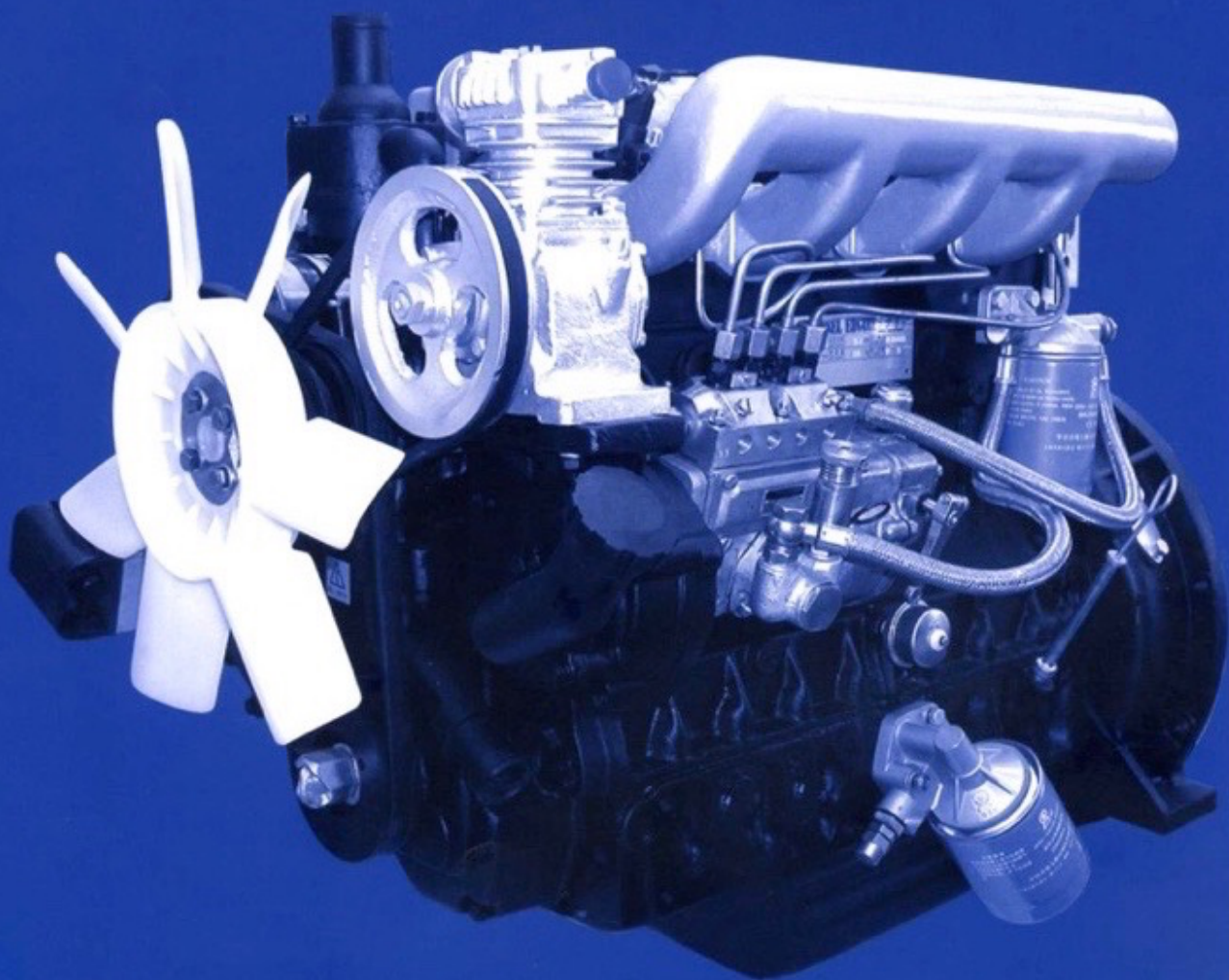




DIESEL ENGINE PARTS CATALOG

JD490/JD495/JD4100/JD4102



FOREWORD

The manual is written in terms of JD490, JD495, JD4100 and JD4102 type diesel engines made by JANGSU JIANGHUAI ENGINE CO.,LTD. It introduces the JIANGDONG 4-cylinder diesel engine's accessories' name, number, quantity, and assembling relationship, helping user and maintainers to know engine configuration, to enhance their maintenance abilities and to choose and buy accessories conveniently.

With the technical advancement and expansion, JIANGDONG continuously improves its engines. Some accessories in manual may be not in accord with the future products. Users can only comply with regulation of present products. The republishing manual will be modified and supplemented in terms of new products.

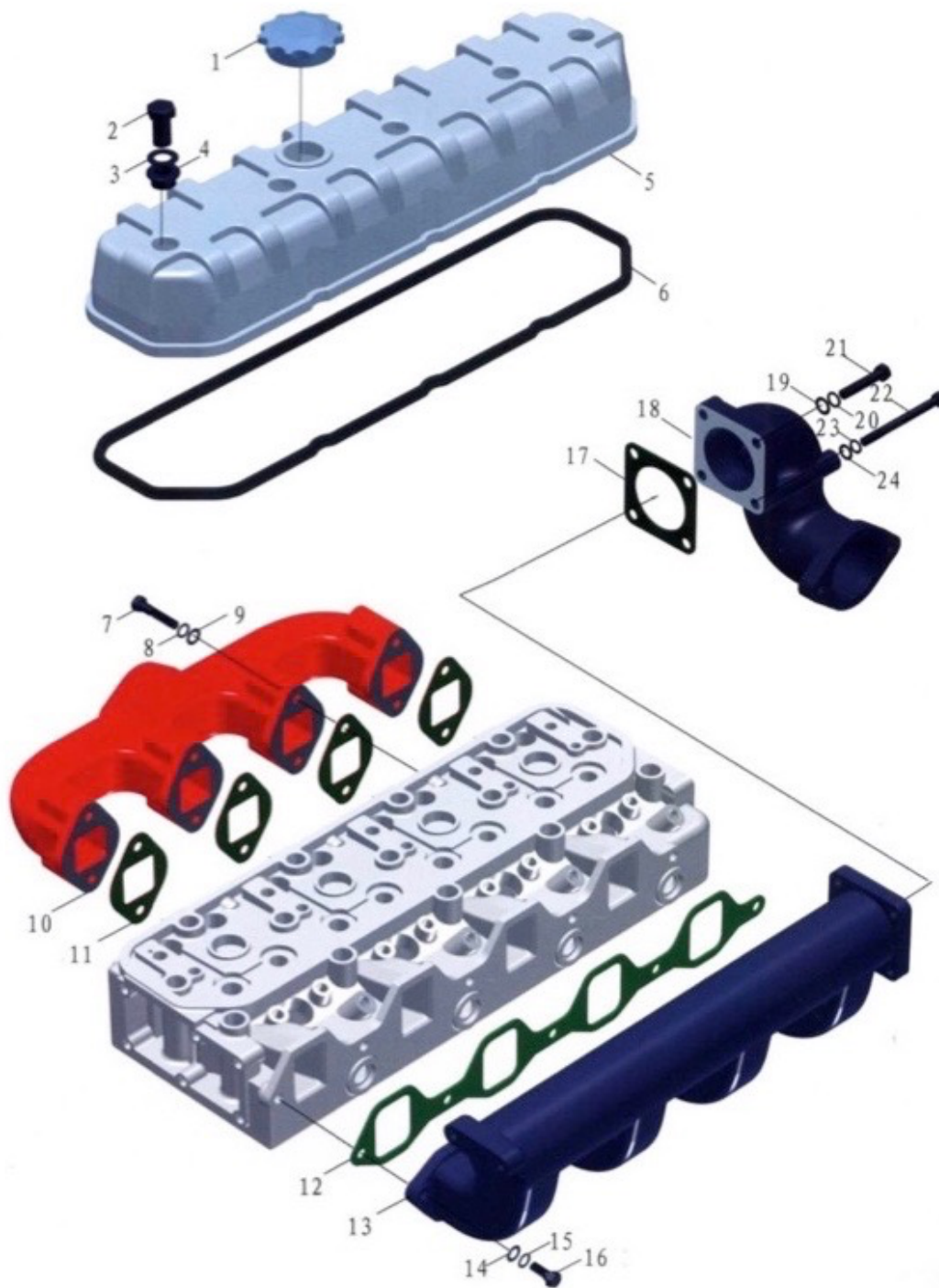
Please forgive us ,we must retain scope of supply, product structure and the right of technical renovation, so users can't come up with any request in the right of the manual.

JANGSU JIANGHUAI ENGINE CO.,LTD

目 录

CONTENTS

Intake and Exhaust Pipe Assembly	03
Cylinder head Assembly	05
Cylinder block Assembly	07
Cylinder block Assembly	09
Camshaft Assembly	11
Crankshaft-flywheel Assembly	13
Piston connecting Rod Assembly	15
Lubrication System Assembly	17
Cooling System Assembly	19
Fuel System Assembly	21
4102	22
4102 Appropriate Parts	
4100	23
4100 Appropriate Parts	
490	23
490 Appropriate Parts	
JD493EU/JD495EU/JD4100EU	25
JD493EU/JD495EU/JD4100EU Diesel engine commonality parts/Appropriate Parts	
JD4G2/JD4G3	26
JD4G2/JD4G3 Appropriate Parts	
JD490B/JD495B/JD4100B/JD4102B	27
JD490B/JD495B/JD4100B/JD4102B Diesel engine commonality parts	
JD490B/JD495B	27
JD490B/JD495B Appropriate Parts	
JD4100B/JD4102B/JD4102EU	28
JD4100B/JD4102B/JD4102EU Appropriate Parts	
JD495T	29
Overall Dimensions Of Model JD495T Diesel Engine	



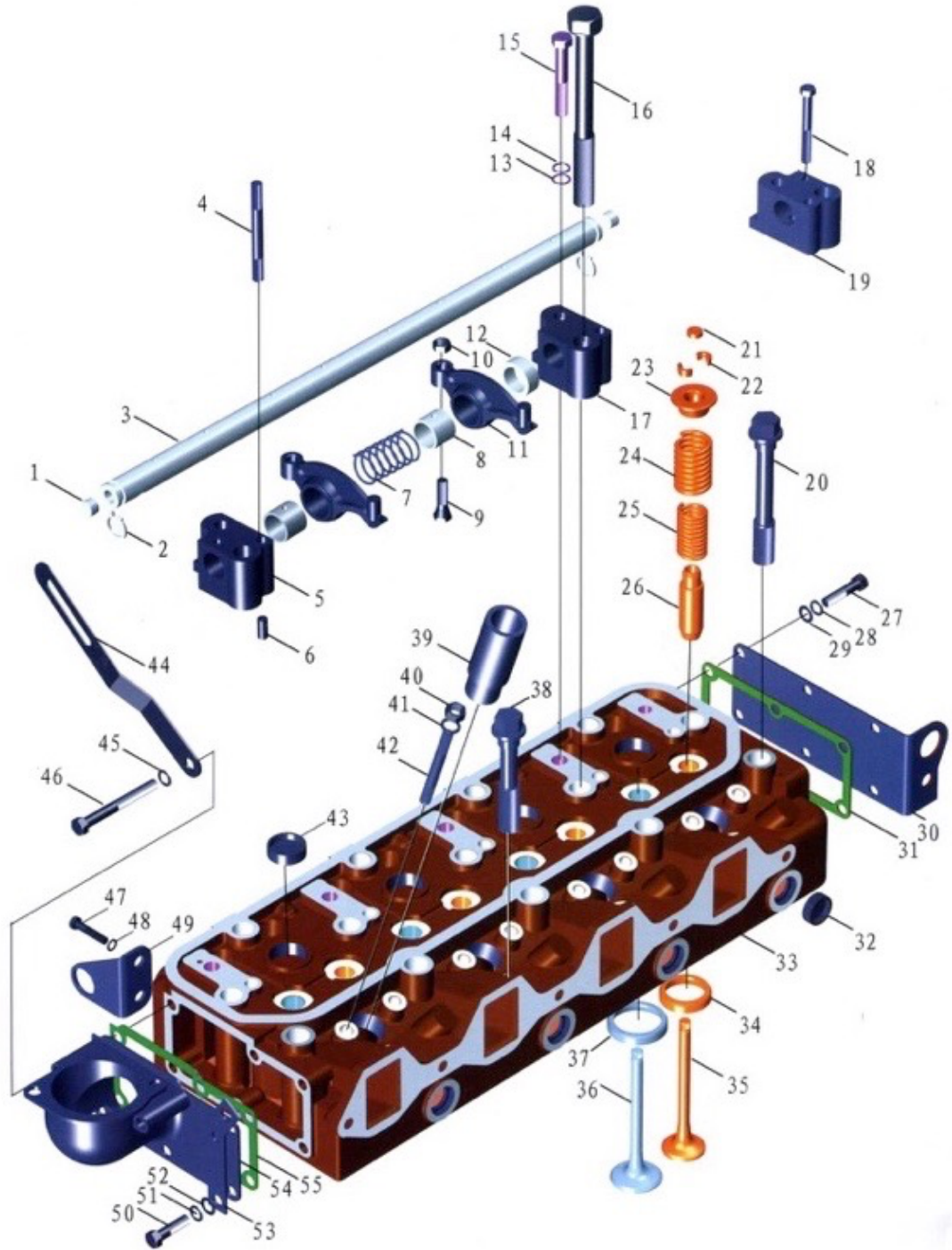
Intake and Exhaust Pipe Assembly

进排气管系统总成 Intake and Exhaust Pipe Assembly

序号 Ser No.	名称及规格 Name of parts	图号 Parts No.	数量 Qty
1	Adjust cover	JD2102Q.1.3-3	1
2	Cylinder head bonnet bush	JD4102.1-31	5
3	Washer 10	JD4102.1-34	5
4	Cylinder head bonnet washer	JD4102.1-33	5
5	Cylinder head bonnet	JD4102.1.3.1-1A	1
6	Cylinder head bonnet gasket	JD490.1-1	1
7	Bolt M8 × 20	GB5783-87	8
8	Elastic washer 8	GB859-87	8
9	Washer 8	GB97.1-85	8
10	Exhaust pipe	TY495.10-2	1
11	Exhaust pipe gasket	TY295I.10.1-5	4
12	Intake pipe gasket	JD4102.1-2	1
13	Intake pipe	TY4102.10.1-1	1
14	Washer 8	GB97.1-85	10
15	Elastic washer 8	GB859-87	10
16	Bolt M8 × 20	GB5783-86	5
17	Intake connecting pipe gasket	TY395I.10-5	1
18	Intake connecting pipe	JD490.10.1-2	1
19	Washer 8	GB97.1-85	2
20	Elastic washer 8	GB859-87	2
21	Bolt M8 × 20	GB5783-86	2
22	Bolt M8 × 40	GB5783-86	2
23	Washer 8	GB97.1-85	2
24	Elastic washer 8	GB859-87	2



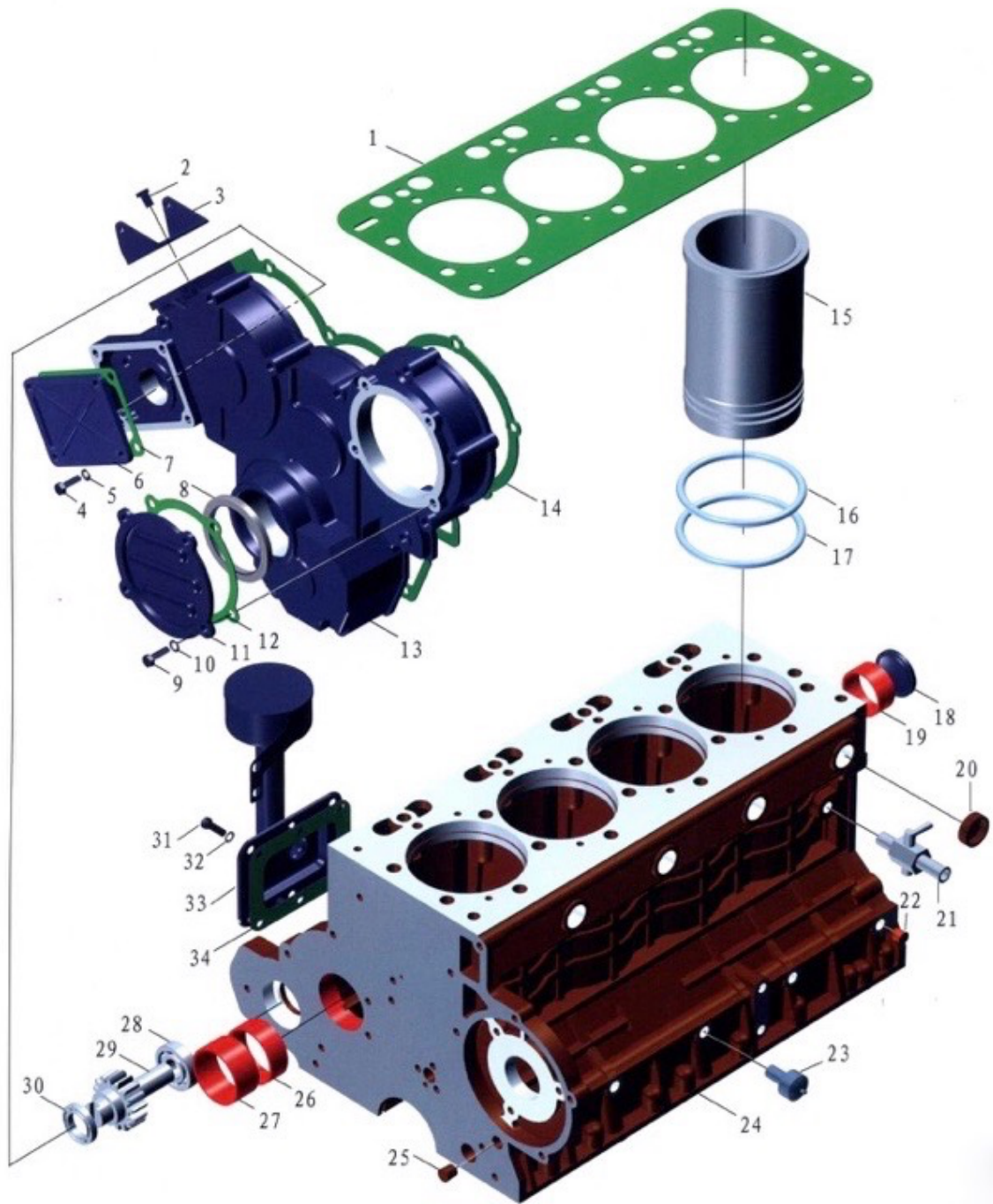
JIANGHUAI ENGINE



Cylinder head Assembly

气缸盖总成 Cylinder head Assembly

序号Ser No.	名称及规格 Name of parts	图号 Parts No.	数量Qty
1	Rockshaft plug	JD4102.1.2-23	2
2	Check ring 16	GB894.1-86	1
3	Rockshaft	JD4102.1.2-1	1
4	M8 × 25	GB898-88	5
5	Rockshaft carrier II	JD4102.1.2-11	1
6	Screw	TY495.1-22	1
7	Rockshaft spring	JD4102.1.2-14	4
8	Rockshaft bush	JD4102.1.2-13	2
9	Value clearance adjusting screw	S195-03006-1	8
10	Bolt M8	GB6170-86	8
11	Valve rocker arm	JD4102.1.2-23	8
12	Rocker arm bush	JD4102.1.2-13	8
13	Washer 10	GB97.1-85	5
14	Elastic washer 10	GB859-87	5
15	Bolt M10 × 55	GB5782-86	5
16	Cylinder head bolt III	JD4102.1-5A	5
17	Rockshaft carrier I	JD4102.1.2-10	3
18	The carrier of rockshaft fires screw	JD4102.1.2-2	1
19	Rockshaft carrierIII	JD4102.1.2-12	1
20	Cylinder head bolt II	TY295.1-7	9
21	Valve cap	TY495.1-23	8
22	Valve collects	S195-03007	16
23	Spring seat cover	TY495.1-4	8
24	Valve spring(outer)	TY295.1-4	8
25	Valve spring(inner)	TY295.1-3	8
26	Valve guide stem	JD490.1-6	8
27	BoltM8 × 20	GB5783-86	10
28	Elastic washer 8	GB859-87	6
29	Washer 8	GB97.1-85	6
30	Front cover plate	TY295.1-18A	1
31	Front cover plate gasket	TY295.1-19	1
32	Plug	TY495Q.1.1-4	4
33	Cylinder head	JD490.1.1-1	1
34	Exhaust valve seat	TY495.1.1-3	4
35	Exhaust valve	TY495.1-5	4
36	Intake valve	TY495.1-3	4
37	Intake valve seat	TY495.1.1-2	4
38	Cylinder head bolt I	TY295.1-5	4
39	Injection bush	TY395.1.1A-2	4
40	Bolt M8	GB6170-86	8
41	Washer 8	GB859-87	8
42	Bolt AM8 × 80	GB899-88	8
43	Water plugΦ28	TY295.1.1-5	4
44	Belt tightening pulley bracket	JD2102Q.2-20	1
45	Washer 8	GB859-87	2
46	Bolt M8 × 28	GB5782-86	2
47	Bolt M8 × 20	GB5783-86	2
48	Washer 8	GB859-87	2
49	Hoisting ring	JD2102Q.1-21	1
50	BoltM8 × 20	GB5783-86	3
51	Elastic washer 8	GB859-87	3
52	Washer 8	GB97.1-85	3
53	Radiator pole bracket	TY395IT.13-8N8	1
54	Rear cover plate	JD2102Q.1-8	1
55	Rear cover plate gasket	TY295.1-7	1



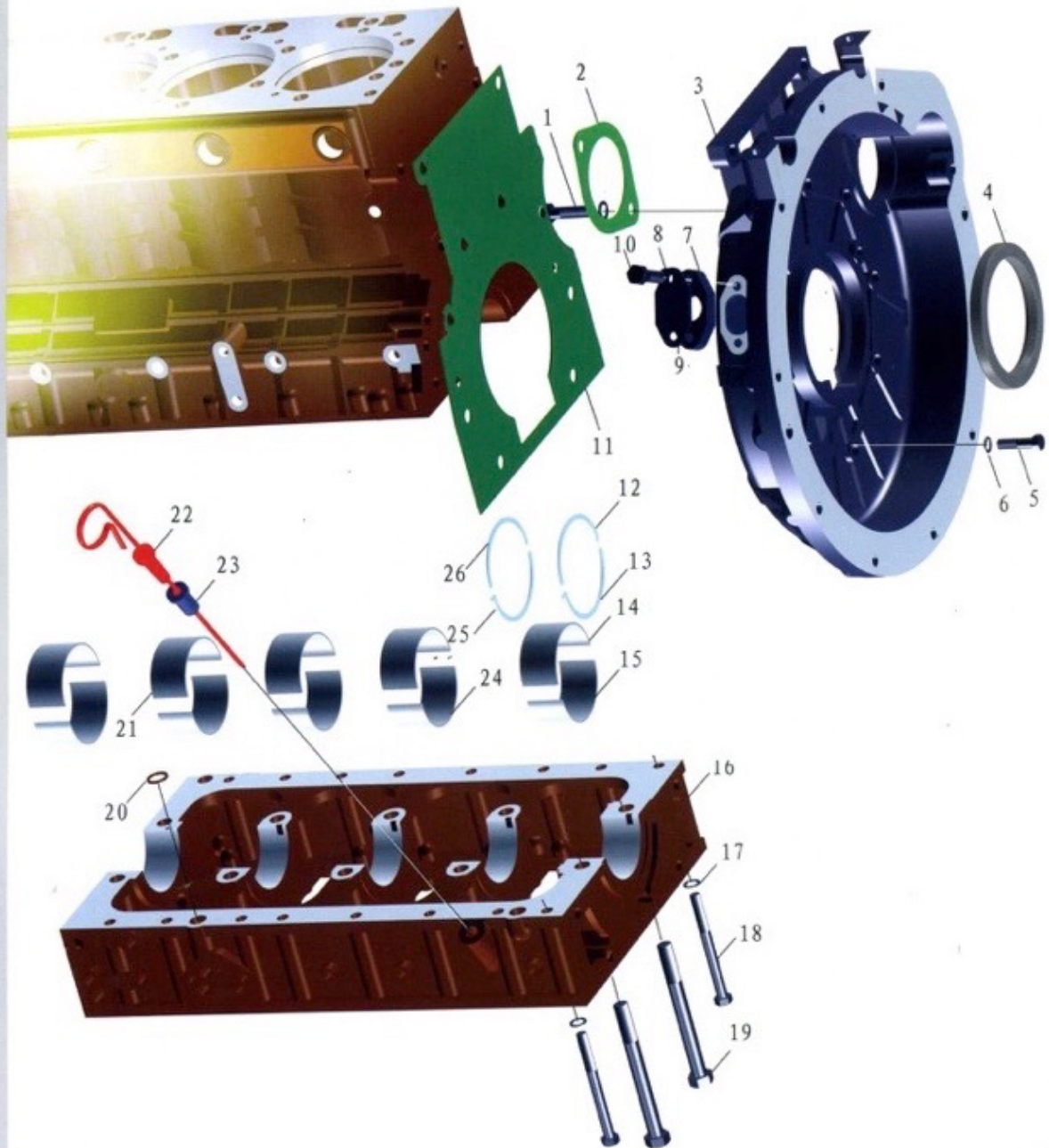
Cylinder block Assembly

Cylinder block Assembly

序号 Ser No.	名称及规格 Name of parts	图号 Parts No.	数量 Qty
1	Cylinder head gasket	JD490.2-16	1
2	Bolt M8 × 25	GB899-88	2
3	Alternator support	TY295I.2-19	1
4	Bolt M8 × 25	GB899-88	4
5	Elastic washer 8	GB859-87	4
6	Cover of lift pump	TY295.2-12	1
7	Cover of lift pump gasket	TY295IT.16-12a	1
8	Oil seal	JB2600-80	1
9	Bolt M8 × 25	GB899-88	4
10	Elastic washer 8	GB859-87	4
11	Cover of air pump hole	TY395.2-5	1
12	Cover of air pump hole gasket	TY395.2-4	1
13	Gear case cover	TY395II.2-10	1
14	Gear case cover gasket	TY295.2-9	1
15	Cylinder sleeve	TY295.2-7	1
16	Water envelop ring	TY295.2-8	1
17	Water envelop ring	TY295.2-8	1
18	Plug	TY495.2.1-10	1
19	Rear camshaft bush	JD4102.2.1-3	1
20	Plug	TY295.2.1-9	2
21	Water-draining cock	S195-01300A	1
22	Oil gallery plug	TY495.2.1-4	6
23	Oil pressure sensor	NJ-12	1
24	Cylinder block	JD490.2.1-1	1
25	Oil plug	TY295.2.1-4	4
26	Inside camshaft bush	JD4102.2.1-5	1
27	Front camshaft bush	JD4102.2.1-2	1
28	Rolling bearing 60203	GB278-89	1
29	Hydraulic pump gear	TY395II.2-34	1
30	Rolling bearing 60203	GB278-89	1
31	Bolt M6 × 12	GB5783-86	6
32	Elastic washer 6	GB859-87	6
33	breathing apparatus	JD4102.2.3	1
34	breathing apparatus gasket	JD4102.2.4	1



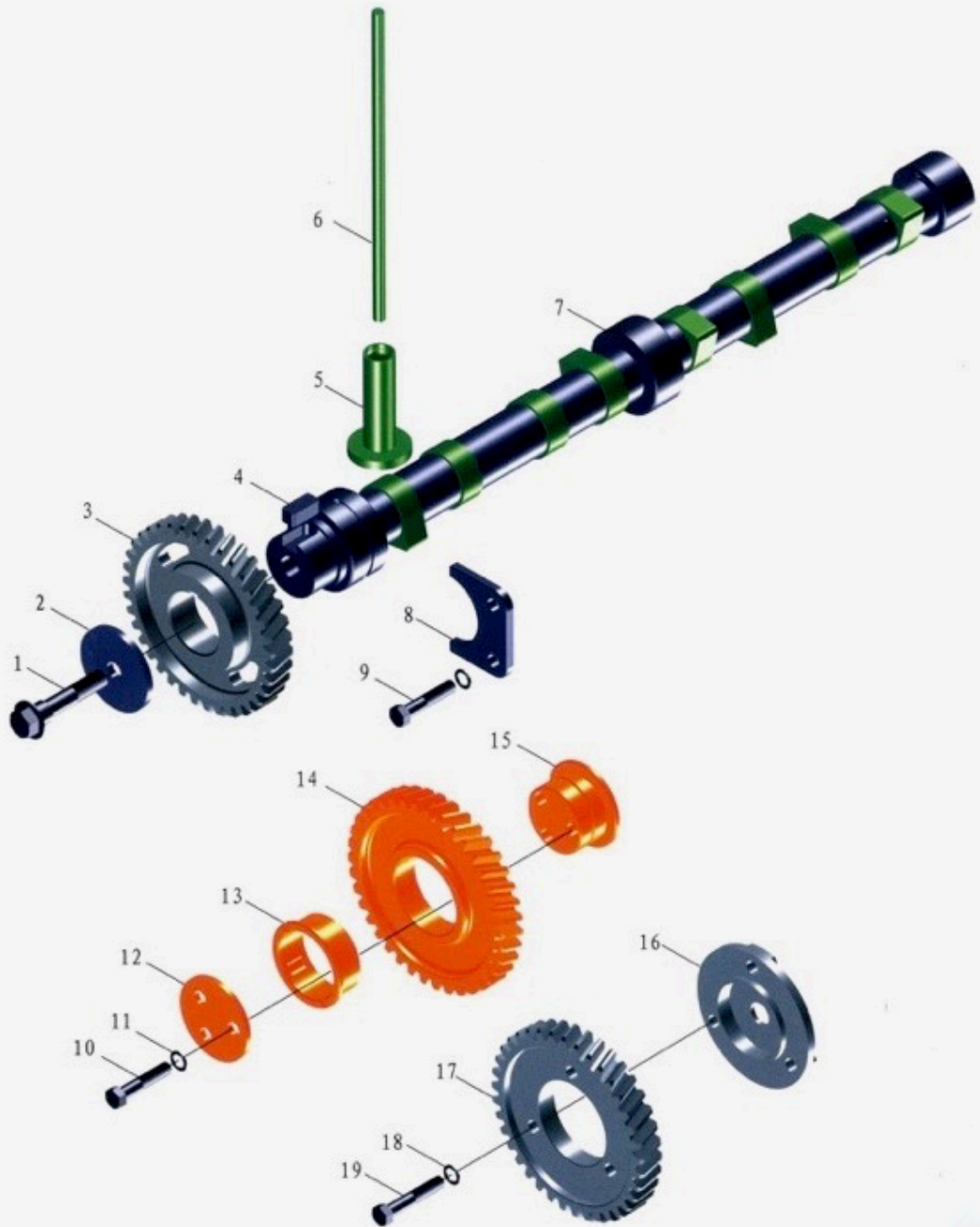
JIANGHUAI ENGINE



Cylinder block Assembly

Cylinder block Assembly

序号 Ser No.	名称及规格 Name of parts	图号 Parts No.	数量 Qty
1	Bolt M12 × 35	GB5783-86	2
2	Start generator gasket	TY295I.2-23	1
3	Flywheel box	JD490T.2-1YT	1
4	Oil seal	JB2600-88	1
5	Bolt M10 × 60	GB5782-86	7
6	Washer 10	GB97.1-85	7
7	Cover of observation hole gasket	TY295I.2-17A	1
8	Washer 8	GB859-87	2
9	Cover of observation hole	TY295I.2-16	2
10	Bolt M8 × 16	GB5783-86	1
11	Flywheel box gasket	TY495.2-2	1
12	Upper thrust piece of crankshaft	TY295.2-3	2
13	Lower thrust piece of crankshaft(outer)	TY495.2-25	1
14	Front and rear main bearing tile (upper)	JD2102Q.2-4a	1
15	Front and rear main bearing tile (lower)	JD2102Q.2-5a	1
16	Main bearing seat	JD490.2.1-7	1
17	Washer 10	GB97.1-85	16
18	Bolt M10 × 110	GB5782-86	16
19	Main bearing cap plug	TY295.2.1-8	16
20	Type O rubber	GB3452.1-82	1
21	Middle and rear main bearing tile (upper)	JD3100Q.2-6	3
22	Oil level dipstick	JD2102Q.2.2ZC	1
23	Oil level gage connect	JD2102Q.2.3ZC	1
24	Middle and rear main bearing tile (lower)	JD3100Q.2-8	3
25	Lower thrust piece of crankshaft(inner)	TY495.2-26	1
26	Upper thrust piece of crankshaft	TY295.2-3	2



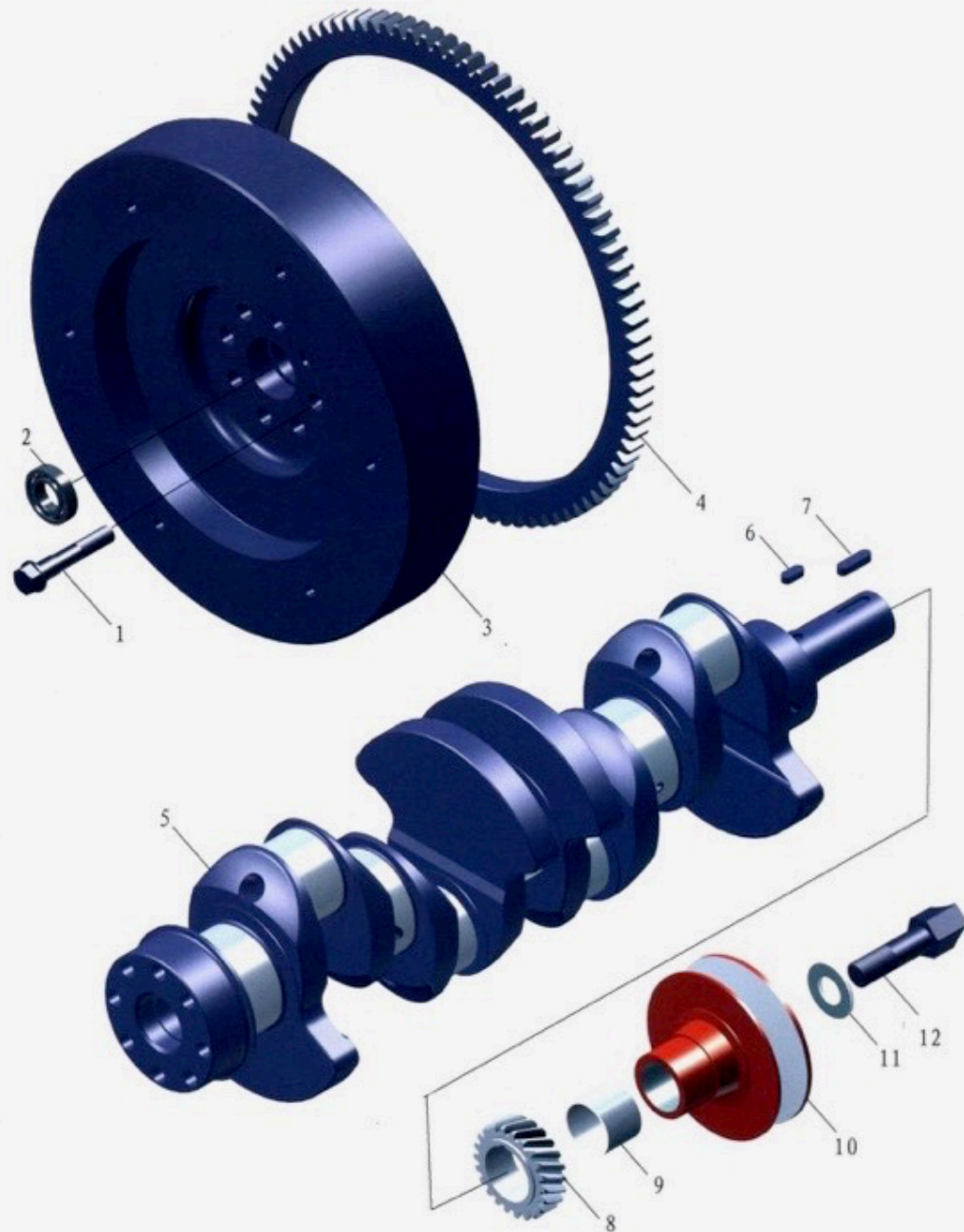
Camshaft Assembly

Camshaft Assembly

序号 Ser No.	Name of parts	图号 Parts No.	数量 Qty
1	Camshaft gear screw	GB5783-86	1
2	Camshaft gear holddown	TY295I.3-13A	1
3	Camshaft gear	TY2100II.3-4	1
4	Key 10 × 16	GB1096-79	1
5	Valve tappet	TY295.3-2a	8
6	Valve push rod	TY295.3-3	8
7	Camshaft	TY495.3-1	1
8	Thrust piece	TY295.3-5	1
9	Bolt M8 × 16	GB5783-86	2
10	Bolt M8 × 40	GB5782-86	3
11	Elastic washer 8	GB859-87	8
12	Idle gear holddown	JD4102.3-9	1
13	Idle gear bush	JD4102.3-8	1
14	Idle gear	JD2115.3-6	1
15	Idle gear shaft	JD4102.3-7	1
16	Flange joint of fuel pump	TY295I.3-11	1
17	Fuel injection pump gear	TY2100II.3-10	1
18	Elastic washer 8	GB859-87	1
19	Bolt M10 × 25	GB5783-86	1



JIANGHUAI ENGINE



Crankshaft-flywheel Assembly

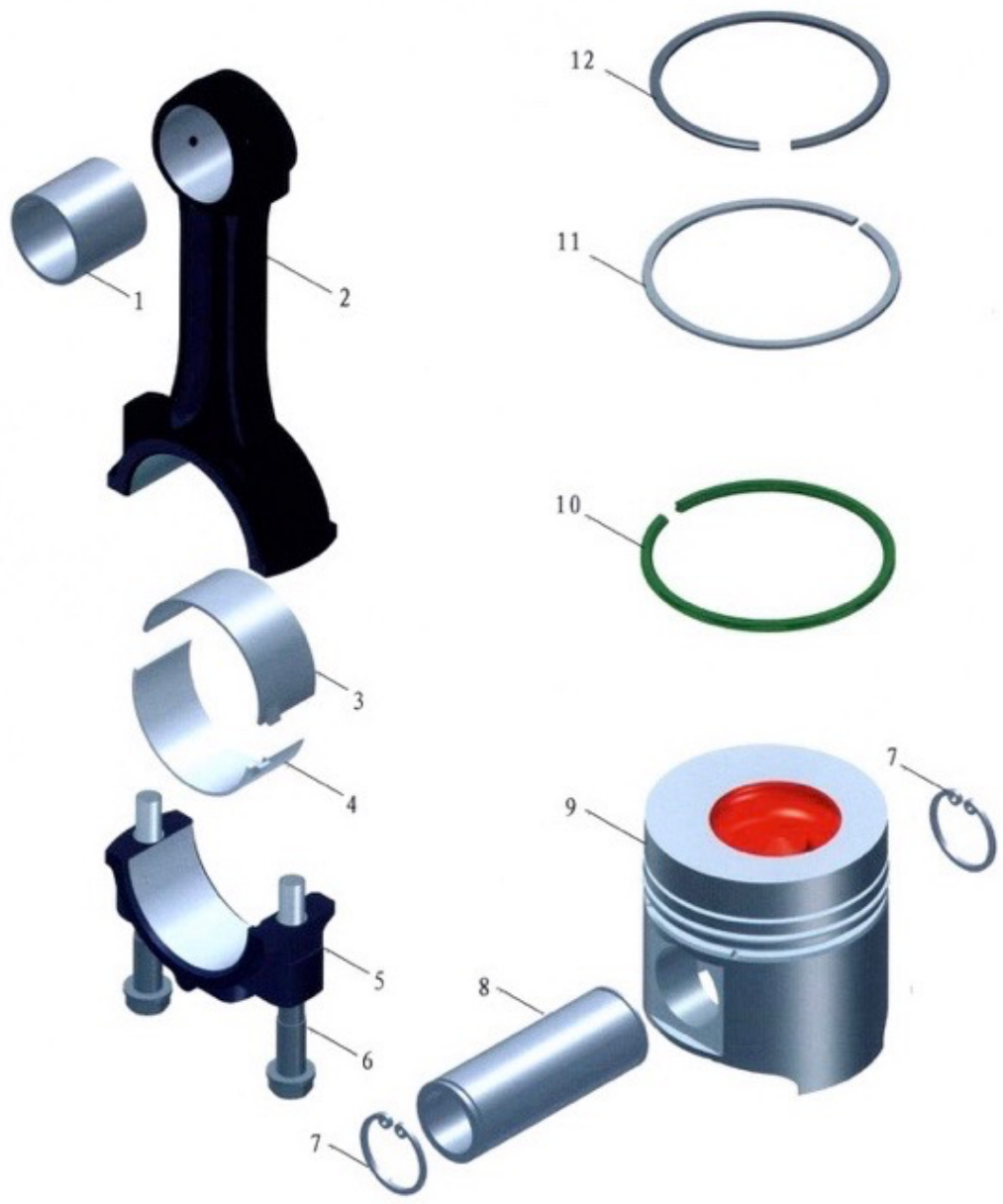
曲轴飞轮总成 Crankshaft-flywheel Assembly

序号 Ser No.	名称及规格 Name of parts	图号 Parts No.	数量 Qty
1	飞轮螺栓 Flywheel bolt	TY495.4.2-3	8
2	轴承80203 Rolling bearing 80203	GB278-89	1
3	飞轮 Flywheel	JD2110AT.4.2-1	1
4	齿圈 Flywheel gear ring	TY495.4.2-2	1
5	曲轴 Crankshaft	JD490.4.2-4	1
6	曲轴平键8×18 Key 8×18	GB1096-79	1
7	键8×7×28 Key 8×7×28	GB1564-79	1
8	曲轴齿轮 Crankshaft gear	TY295T.4.2-5A	1
9	隔套 Bush	JD2102Q.4.2-13	1
10	皮带轮 Belt pulley	JD2102Q.4.2-9	1
11	起动机爪垫圈 Starting claw washer	TY295I.4.2-8A	1
12	起动机爪 Starting claw	TY495.4.2-7	1





G
JIANGHUA ENGINE



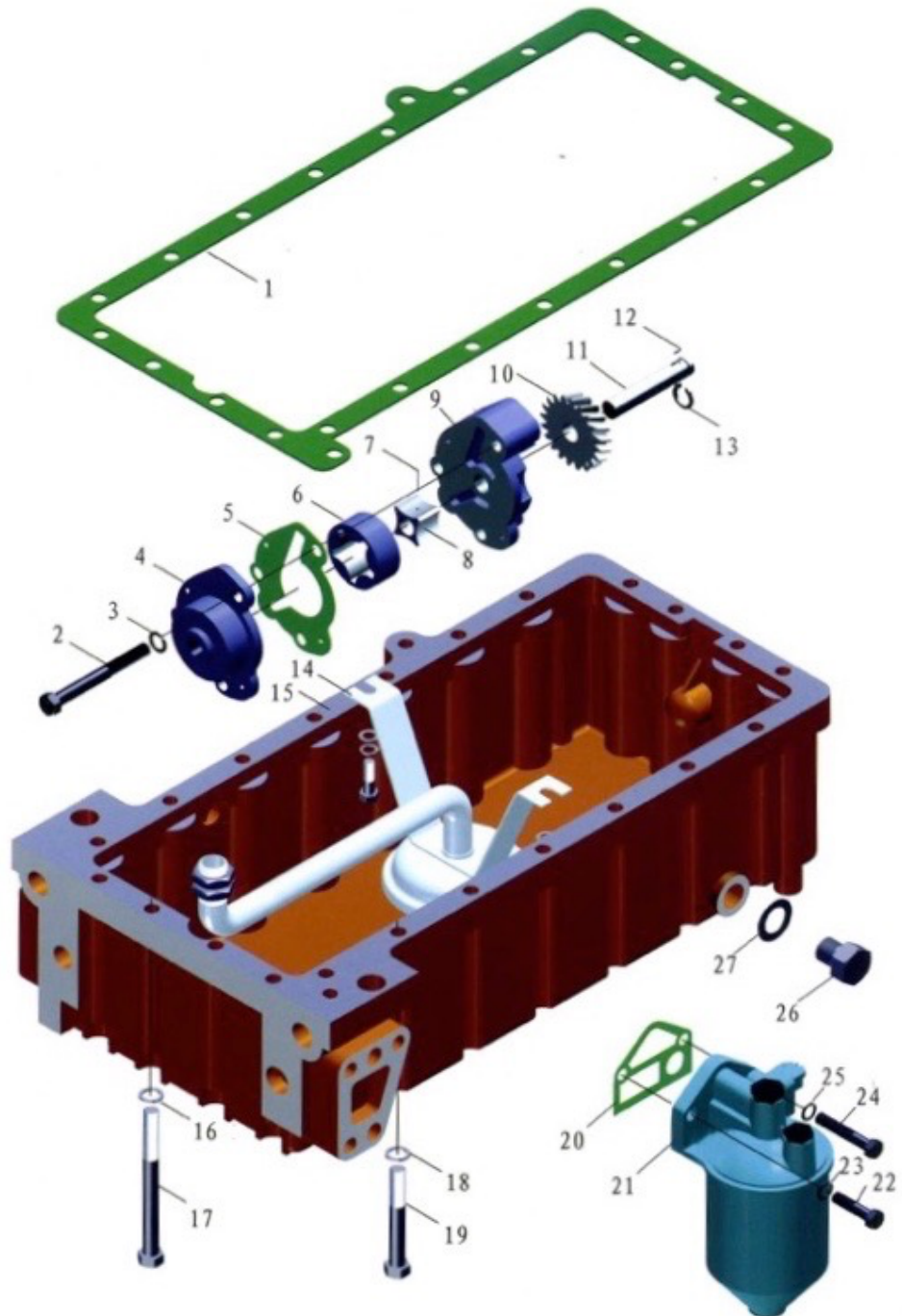
Piston connecting Rod Assembly

Piston connecting Rod Assembly

序号 Ser No.	名称及规格 Name of parts	图号 Parts No.	数量 Qty
1	Connecting small rod bushing	TY295.4.1.2-2	4
2	Connecting rod assembly	TY295.4.1.2-1	4
3	Connecting rod bearing shell	TY295.4.1-6	4
4	Connecting rod bearing shell	TY295.4.1-6	4
5	Connecting rod cap	TY295.4.1.2-3	4
6	Connecting rod bolt	TY295.4.1.2-4	8
7	Circlip 35	GB893.1-86	8
8	Piston pin	TY295.4.1-3	4
9	Piston	TY295.4.1-4	4
10	Oil scraper ring	TY295.4.1.1	4
11	Compression ring (2)	TY295.4.1-2	4
12	Compression ring (1)	TY295.4.1-1	4



JIANGHUAI ENGINE



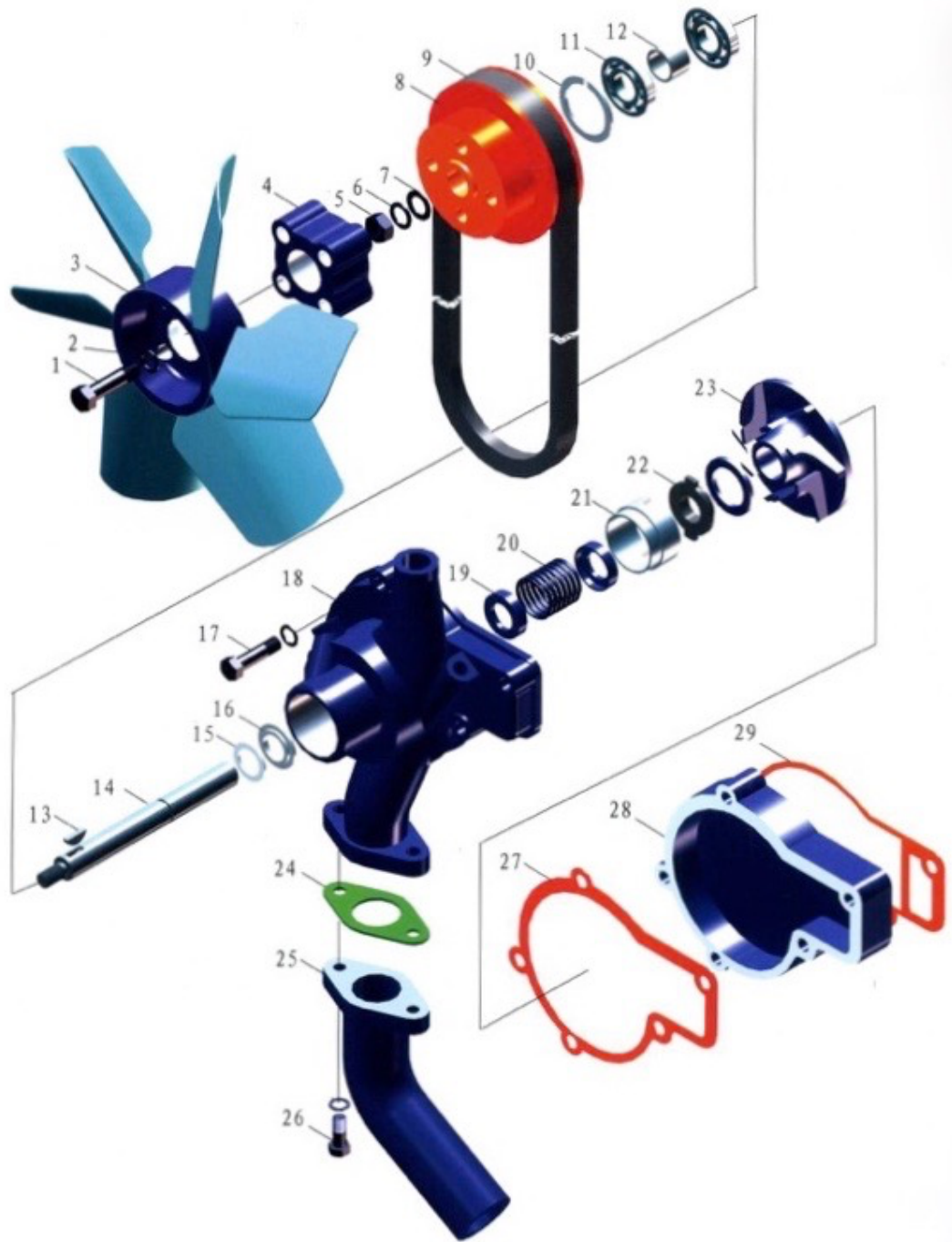
Lubrication System Assembly

Lubrication System Assembly

序号 Ser No.	名称及规格 Name of parts	图号 Parts No.	数量 Qty
1	Oil sump gasket	JD490.7-2	1
2	Bolt M8 × 55	GB70-85	1
3	Elastic washer 8	GB859-87	1
4	Upper oil pump body	JD495.5-1	1
5	Upper oil pump body gasket	JD495.5.1-6	1
6	Outer rotor	JD495.5-2	1
7	Pin	TY395.5.1-2	1
8	Inner rotor	JD495.5.1	1
9	Lower oil pump body	JD495.5-4	1
10	Oil pump gear	TY395.5-3	1
11	Oil pump shaft	JD495.5.1-2	1
12	Key 4 × 6.5 × 16	GB1098-79	1
13	Circlip 14	GB894.1-86	1
14	Oil primary filter assembly	JD490.7.1	1
15	Oil sump	JD490.7-1	1
16	Elastic washer 10	GB859-87	22
17	Bolt M10 × 150	GB5783-86	6
18	Elastic washer 10	GB859-87	22
19	Bolt M10 × 125	GB5783-86	16
20	Oil filter gasket	JD4102.2-22	1
21	Oil filter assembly	JX85100C	1
22	Bolt M8 × 20	GB5783-86	1
23	Elastic washer 8	GB859-87	1
24	Bolt M8 × 20	GB5783-86	1
25	Elastic washer 8	GB859-87	1
26	Oil drain plug	TY295.7-2	1
27	Oil drain plug gasket	TY295.7-3	1



JIANGHUAI ENGINE



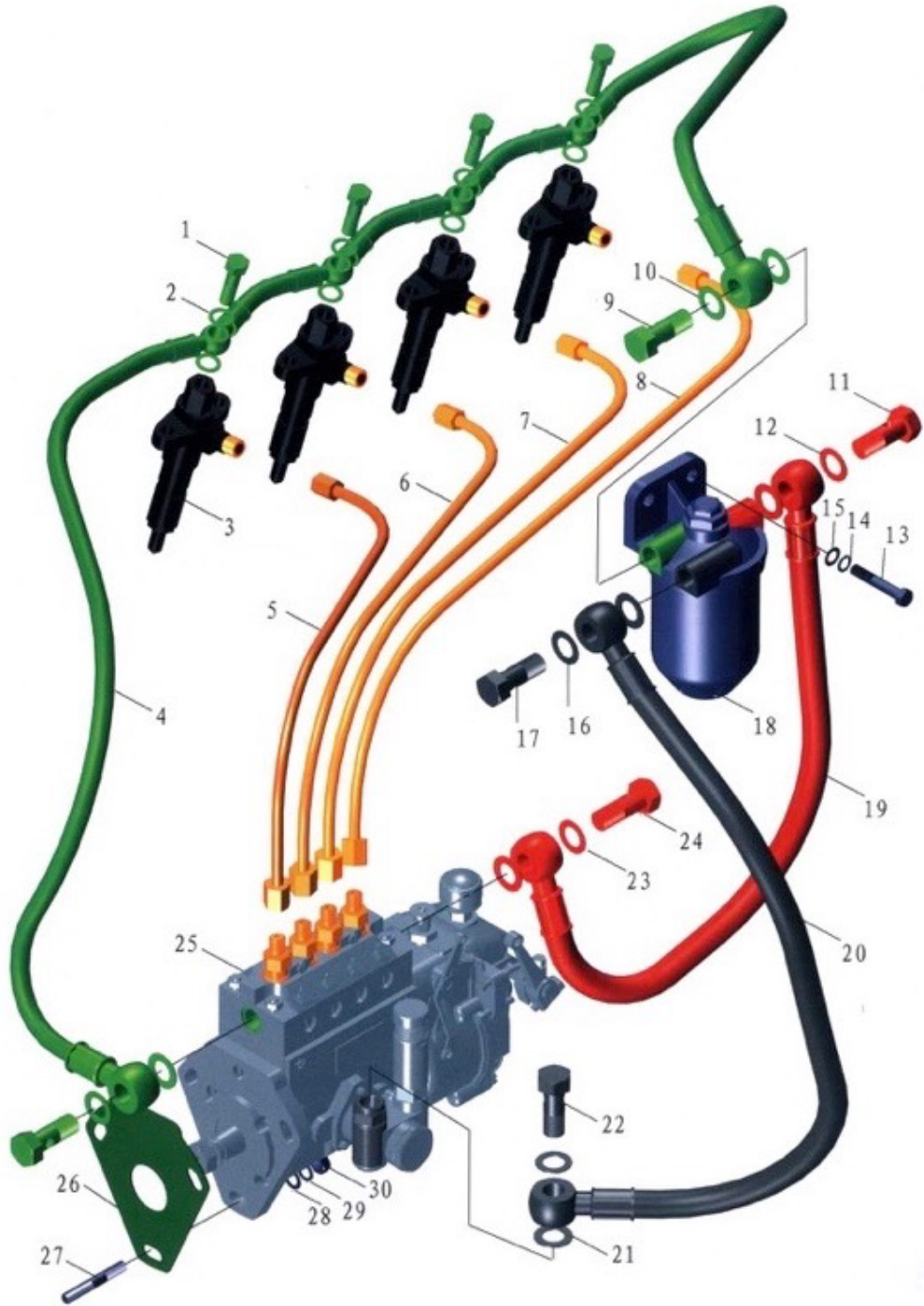
Cooling System Assembly

Cooling System Assembly

序号 Ser No.	名称及规格 Name of parts	图号 Parts No.	数量 Qty
1	Bolt M8 × 45	GB5782-86	1
2	Washer 8	GB859-87	1
3	Fan Ø380	TY295.12-15	1
4	Radiator Fan	TY295IT.12-18	1
5	Nut M12	GB6170-86	1
6	Elastic washer 12	GB859-87	1
7	Washer 12	GB97.1-85	1
8	Water pump pulley	TY295I.12-5	1
9	Fan strap	HG4-401-74	1
10	Circlip 40	GB893.1-86	1
11	Rolling bearing 60203	GB278-89	2
12	Bearing sleeve	TY295.12-12	1
13	Key 5 × 6	GB1099-79	1
14	Water pump shaft	TY495Q.12-4	1
15	Washer 12	GB895-87	7
16	Water thrower	GB859-87	1
17	Bolt M8 × 25	GB5783-86	2
18	Water pump	JD2102Q.12-1	1
19	Water seal spring seat	TY295.12-9	2
20	Water seal spring	TY295.12-8	1
21	Water seal assembly	TY295.12-10	1
22	Rubber water seal	TY295.12-7	1
23	Water pump wheel	TY495Q.12-3	1
24	Lower water tube gasket	TY495.12-7	1
25	Lower water tube	JD2102Q.12-6	1
26	Bolt M8 × 25	GB5782-86	2
27	Water pump seat gasket	TY495Q.12-7	1
28	Water pump seat	TY495Q.12-2	1
29	Water pump gasket	TY295.12-13	1



JIANGHUAI ENGINE



Fuel System Assembly

燃油系统总成 Fuel System Assembly

序号 Ser No.	名称及规格 Name of parts	图号 Parts No.	数量 Qty
1	Injection assembly	PF68S19	3
2	Fuel return pipe assembly	TY495.15.7	1
3	Fuel injection pump assembly	4缸I型泵 I pump	1
4	High pressure pipe of cylinder I	TY495.15.7.1-1	1
5	High pressure pipe of cylinder II	TY495.15.7.2-1	1
6	High pressure pipe of cylinder III	TY495.15.7.3-1	1
7	High pressure pipe of cylinder IV	TY495.15.7.4-1	2
8	Bolt M10 × 20	TY295.2-21	2
9	Washer 12	GB859-87	2
10	Elastic washer 12	GB859-87	1
11	Fuel filter assembly	CX70100	1
12	Fuel filter- Fuel injection pump vitta	TY495.15.6	2
13	Transfer-pump and fuel filter vitta	TY495.15.6	1
14	Fuel injection pump gasket	GB899-88	1
15	Bolt aM8 × 25	GB859-6	1

4102

4102 Appropriative Parts

序号 Ser No.	名称及规格 Name of parts	图号 Parts No.	数量 Qty
1	Connecting rod assembly	JD4102.4.1.2-1	4
2	Cylinder head gasket	JD4102.2-16	1
3	Cylinder sleeve	JD4102.2-7	4
4	Cylinder head	JD4102.1.1-1	1
5	Piston	JD4102.4.1-4	4
6	Compression ring (1)	JD2102Q.4.1-1	4
7	Compression ring (2)	JD2102Q.4.1-2	4
8	Piston pin	JD3100Q.4.1-3	4
9	Oil scraper ring	JD2102Q4.1.1	4
10	Intake valve seat	JD4102.1.1-2	4
11	Exhaust valve seat	JD4102.1.1-3	4
12	Exhaust valve	JD4102.1-5	4
13	Intake valve	JD4102.1-3	4
14	Upper connecting rod bearing shell	JD4102.4.1-5	4
15	Lower connecting rod bearing shell	JD4102.4.1-6	4
16	Connecting rod cap	JD4102.4.1.2-3	4
17	Connecting rod bolt	JD4102.4.1.2-4	8
18	Connecting small rod bushing	JD4102.4.1.2-2	4
19	Crankshaft	JD4102.4.2-4A	1
20	Cylinder block	JD4100T.2.1-1	1
21	water envelop ring	TY2100II.2-8	8

4100

4100 Appropriate Parts

序号 Ser No.	名称及规格 Name of parts	图号 Parts No.	数量 Qty
1	Cylinder block	JD4100T.2.1.-1	1
2	Cylinder sleeve	JD4100T.2-7	4
3	Cylinder head	TY2100.1.1-1	1
4	Intake valve seat	TY495Q1.1-2	4
5	Exhaust valve seat	TY2100.1.1-3	4
6	Exhaust valve	TY2100II.1-9	4
7	Intake valve	TY495Q.1-3	4
8	water envelop ring	TY2100II.2-8	8
9	Compression ring (1)	TY2100II.4.1-1	4
10	Compression ring (2)	TY2100II.4.1-2	4
11	Piston	TY2100I.4.1-4	4
12	Oil scraper ring	TY2100II.4.1-1	4
13	Cylinder head gasket	JD4100T.2-7	1

490专用件 490 Appropriate Parts

序号 Ser No.	名称及规格 Name of parts	图号 Parts No.	数量 Qty
1	Cylinder head	JD490.1.1-1	1
2	Intake valve seat	JD490.1.1-2	4
3	Exhaust valve seat	JD490.1.1-3	4
4	Exhaust valve	JD490.1-9	4
5	Intake valve	JD490.1-3	4
6	Valve guide stem	JD490.1-6	8
7	Cylinder sleeve	JD490.2-7	1
8	Compression ring (1)	JD493.4.1-1	1
9	Compression ring (2)	JD493.4.1-2	1
10	Piston	JD493.4.1-4	1
11	Connecting rod bearing shell	JD490.4.1-6	8
12	Connecting rod assembly	JD490.4.1.2-1	4
13	Connecting rod cap	JD490.4.1.2-3	4
14	Oil scraper ring	JD490.4.1.1	4

JD493EU/JD495EU/JD4100EU

JD493EU/JD495EU/JD4100EU Diesel engine commonality parts

序号 Ser No.	名称及规格 Name of parts	图号 Parts No.	数量 Qty
1	Front cover plate	TY395E1.1-18	1
2	Injection bush	TY395I.1.1-6EPA	4
3	Injector press claw	TY395I.1.1-7EPA	4
4	Cylinder head bolt 1	TY395I.1-5EPA	4
5	Roundness washer	TY395I.1.1-8EPA	4
6	Cylinder head bonnet seam	JD495E.1.2.1	1
7	Flywheel box	JD495E.2-1	1
8	Camshaft	JD495E.3-1	1
9	Flywheel	JD495E.4.2-1	1
10	Oil sump	JD495E.7-1	1
11	Intake pipe	JD4100E.10-1	1
12	Exhaust pipe	JD4100E.10-2	1
13	ECU fit bracket	JD4100E.14-1	1
14	EGR valve flange	JD4100E.14-2	1
15	EGR valve intake gasket	JD4100E.14-7	1
16	EGR valve exhaust gasket	JD4100E.14-9	1
17	EGR pipe	JD4100E.14-10	1
18	EGR pipe nut	JD4100E.14-11	1
19	EGR pipe connector	JD4100E.14-12	1
20	Injector	P-5X0.2	4
21	Fuel injection pump	BQ2000	1
22	Dynamotor(with Vacuum pump)	JFWB15C3-1	1
23	Vacuum pump enter vitta assembly	TY395E1.2-40	1
24	Vacuum pump return vitta assembly	TY395E1.2-41BQ	1
25	Cylinder head bonnet wash	JD495E.1-1	1
26	Injector return vitta assembly	JD495E.15.7	1
27	Date plate	JD495E.2-29	1
28	High pressure pipe	JD495E.15.1-4	4
29	ECU rubber washer	TY395E1.14-17	2
30	Fuel filter-Fuel injection pump vitta	TY395IT.15.4EPA	1
31	Transfer-pump and fuel filter vitta	TY395IT.15.5EPA	1
32	Speed sensor adjust washer	TY395E1.14-20	1
33	Ventilate pipe	TY395IT.10.1-4	1

JD493EU专用件 JD493EU Appropriate Parts:

序号Ser No.	名称及规格 Name of parts	图号 Parts No.	数量Qty
1	Cylinder head	JD495E.1.1-1	1
2	Cylinder block	JD495E.2.1-1	1
3	Cylinder sleeve	JD493E.2-7	4
4	Piston	JD493E.4.1-4	4
5	Compression ring (1)	JD493E.4.1-1	4
6	Compression ring (2)	JD493E.4.1-2	4
7	Oil scraper ring	JD493E.4.1.1	4
8	Electric EGR system	JD493E.14	1

JD495EU专用件 JD495EU Appropriate Parts:

序号Ser No.	名称及规格 Name of parts	图号 Parts No.	数量Qty
1	Cylinder head	JD495E.1.1-1	1
2	Cylinder block	JD495E.2.1-1	1
3	Cylinder sleeve	JD395.2-7EPA	4
4	Piston	JD495E.4.1-4	4
5	Compression ring (1)	TY395I.4.1-1EPA	4
6	Compression ring (2)	TY395I.4.1-2EPA	4
7	Oil scraper ring	TY395I.4.1-1EPA	4
8	Electric EGR system	JD495E.14	1

JD4100EU专用件 JD4100EU Appropriate Parts:

序号Ser No.	名称及规格 Name of parts	图号 Parts No.	数量Qty
1	Cylinder head	JD4100E.1.1-1	1
2	Cylinder block	JD4100E.2.1-1	1
3	Cylinder sleeve	JD4100E.2-7	4
4	Piston	JD4100E.4.1-4	4
5	Compression ring (1)	JD4100E.4.1-1	4
6	Compression ring (2)	JD4100E.4.1-2	4
7	Oil scraper ring	JD4100E.4.1.1	4
8	Electric EGR system	JD4100E.14	1

JD4G2 / JD4G3		JD4G2/JD4G3 Appropriative Parts		
序号 Ser No.	名称及规格 Name of parts	图号 Parts No.	数量 Qty	
1	Cylinder block	JD4G2.2.1-1	1	
2	Flywheel box	JD4G2.2-1	1	
3	Main bearing cap	JD4G2.2-7	1	
4	Connecting plate	JD4G2.2-9	1	
5	Timing gear housing	JD4G2.2-10	1	
6	Cover	JD4G2.2-11	1	
7	Gasket	JD4G2.2-12	1	
8	Gasket	JD4G2.2-13	1	
9	End plate	JD4G2.2-14	1	
10	Gasket	JD4G2.2-15	1	
11	Gasket	JD4G2.2-16	1	
12	Bearing cover	JD4G2.2-17	1	
13	Idle gear shaft	JD4G2.3-3	1	
14	Camshaft timing gear	JD4G2.3-4	1	
15	Timing idle gear	JD4G2.3-6	1	
16	Bushing	JD4G2.3-8	1	
17	Connecting flange	JD4G2.3-11	1	
18	Bridge gear	JD4G2.3-14	1	
19	Gear shaft	JD4G2.3-15	1	
20	Hydraulic pump gear shaft	JD4G2.3-16	1	
21	Snap plate	JD4G2.3-17	1	
22	Flywheel	JD4G2.4.2-1	1	
23	Crankshaft gear	JD4G2.4.2-5	1	
24	Bush	JD4G2.4.2-6	1	
25	Water pump	JD4G2.12	1	
26	Bearing 6009	GB/T276-1994	2	
27	Bearing 30207	GB/T297-1994	2	
28	Snap ring 75	GB/T893.1-1986	1	

JD490B/JD495B/JD4100B/JD4102B柴油机共用件

JD490B/JD495B/JD4100B/JD4102B Diesel engine commonality parts:

序号Ser No.	名称及规格 Name of parts	图号 Parts No.	数量Qty
1	Front and rear main bearing tile(upper)	JD495B.2-4	2
2	Front and rear main bearing tile(lower)	JD495B.2-5	2
3	Middle main bearing tile(upper)	JD495B.2-6	3
4	Middle main bearing tile(lower)	JD495B.2-8	3
5	Camshaft	JD495B.3-1	1
6	Valve push rod	JD495B.3-3a	8
7	Connecting rod assembly	JD495B.4.1.2	4
8	Crankshaft	JD495B.4.2-4	1
9	Connecting rod bearing tile	JD495.4.1-6a	8

JD490B专用件 JD493B Appropriative Parts:

序号Ser No.	名称及规格 Name of parts	图号 Parts No.	数量Qty
1	Cylinder head	JD495.1.1-1	1
2	Cylinder block	JD495B.2.1-1	1
3	Cylinder sleeve	JD493B.2-7	4
4	Piston	JD493B.4.1-4	4
5	Compression ring(1)	JD493.4.1-1	4
6	Compression ring(2)	JD493.4.1-2	4
7	Oil scraper ring	JD493.4.1.1	4

JD495B专用件 JD495B Appropriative Parts:

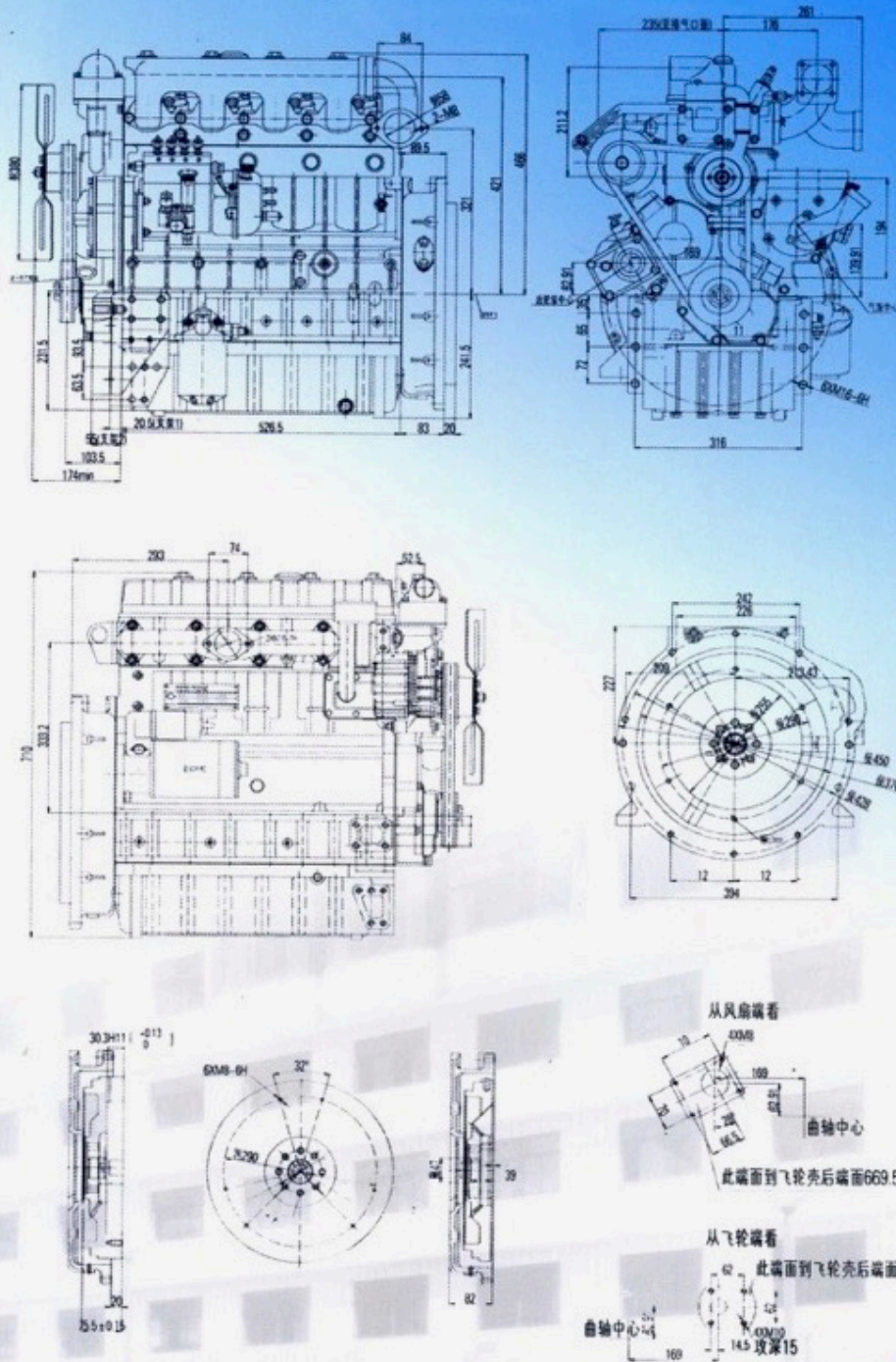
序号Ser No.	名称及规格 Name of parts	图号 Parts No.	数量Qty
1	Cylinder head	JD495.1.1-1	1
2	Cylinder block	JD495B.2.1-1	1
3	Cylinder sleeve	JD495B.2-7a	4
4	Piston	JD495B.4.1-4a	4
5	Compression ring(1)	JD494B.4.1-1	4
6	Compression ring(2)	JD495B.4.1-2	4
7	Oil scraper ring	JD495B.4.1.1	4

JD4100B专用件 JD4100B Appropriate Parts:

序号Ser No.	名称及规格 Name of parts	图号 Parts No.	数量Qty
1	气缸盖 Cylinder head	JD4100.1.1-1	1
2	气缸体 Cylinder block	JD4100B.2.1-1	1
3	气缸套 Cylinder sleeve	JD4100B.2-7	4
4	活塞 Piston	JD4100B.4.1-4	4
5	第一道气环 Compression ring(1)	TY2100II.4.1-1	4
6	第二道气环 Compression ring(2)	TY2100II.4.1-2	4
7	螺旋撑簧油环 Oil scraper ring	TY2100II.4.1.1	4

JD4102B/JD4102EU专用件 JD4102B/JD4102EU Appropriate Parts:

序号Ser No.	名称及规格 Name of parts	图号 Parts No.	数量Qty
1	气缸盖 Cylinder head	JD4100.1.1-1 JD4100E.1.1-1	1
2	气缸体 Cylinder block	JD4100B.2.1-1	1
3	气缸套 Cylinder sleeve	JD4102B.2-7	4
4	气缸垫 Cylinder head gasket	4J34Q.2-16	1
5	活塞 Piston	JD4102B.4.1-4	4
6	第一道气环 Compression ring(1)	JD2102Q.4.1-1	4
7	第二道气环 Compression ring(2)	4J34Q.4.1-2	4
8	螺旋撑簧油环 Oil scraper ring	4J34Q.4.1.1	4
9	活塞销 Piston pin	JD4102Q2-04004	4



JD495T柴油机联系尺寸图

Overall Dimensions Of Model JD495T Diesel Engine



江苏江淮动力股份有限公司
JIANGSU JIANGHUAI ENGINE CO.,LTD.

住所：盐城市环城西路 213 号

电话：0515-88881659

传真：0515-88881660

邮编：224001

http: //www.jdchina.com

E-MAIL: jsjd@public.yc.js.cn